

Schnitt A-A

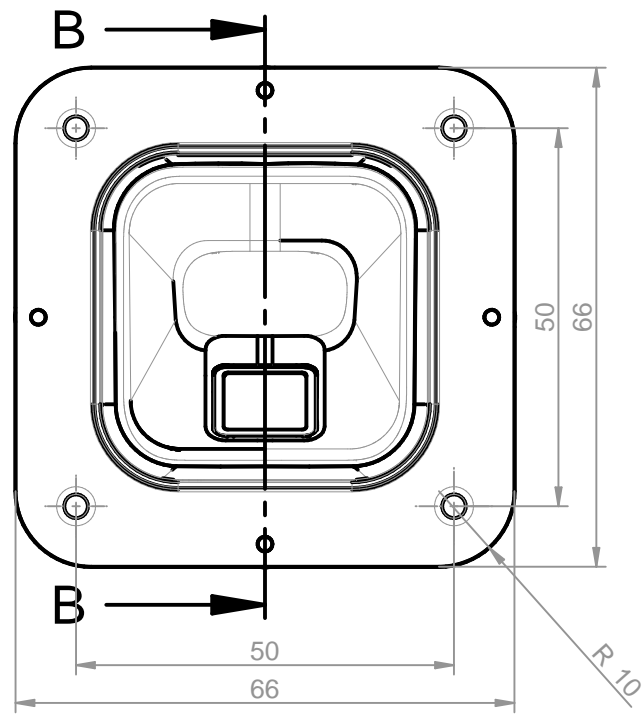
Additional comments /
Zusatzinformationen

Non-dimensioned radii /
Nicht bemaßte Radien = Rx,x

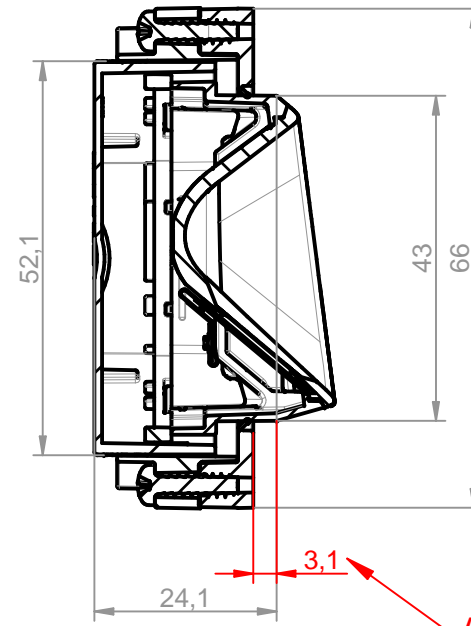
All visible surfaces have to be free of surface defects /
Sämtliche Sichtflächen müssen frei von Oberflächendeffekten sein

For missing dimensions please check 3D-data - 3D-data are generally binding /
Fehlende Maße bitte den 3D-Daten entnehmen, 3D-Daten generell bindend

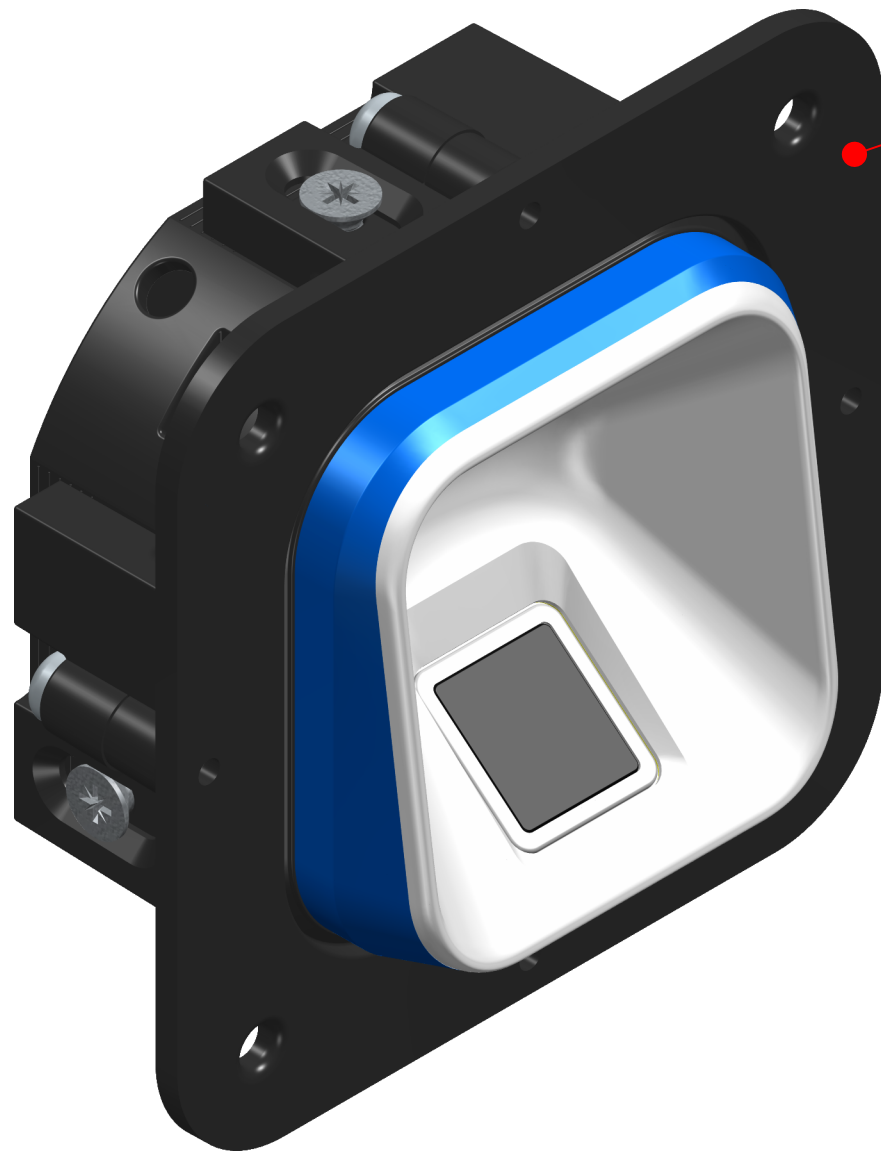
				general tolerance ISO 2768-mK	edge ISO 13715	Scale: 1:1	Weight:
				plastic toleration acc. to ISO 20457 (TG3)		Material: -	
Revision				Date	Name	Part name:	
				Drawn 24.05.2022	mundhena	ekey sLine fingerprint	
				Check.			
				Rel.			
				Project No.: P-00239		Drawing No.:	
				Part No.:		Sheet: 1	
Rev.	Description	Date	Author			of: 2	
						Size: A3	





Schnitt B-B



Adjustable distance between 0mm and 6mm



Adjustable sealing and mounting flange:
Flange can be adjusted to the thickness of the intercom front

				general tolerance ISO 2768-mK	edge ISO 13715	Scale: 1:1	Weight:
				plastic toleration acc. to ISO 20457 (TG3)		Material: -	
Revision				Date	Name	Part name:	
				24.05.2022	mundhena	ekey sLine fingerprint	
				Check.			
				Rel.			
				Project No.: P-00239		Drawing No.:	
				Part No.:		Sheet: 2	
Rev.	Description	Date	Author			of: 2	
						Size: A3	